

ELEGANT. DURABLE. DISTINCTIVE.



ToughGate™ by CityScapes® offers expertly crafted gates and doors built to your specifications, budget and job site demands. We use only professional grade materials for years of maintenance free operation.

For stunning good looks, amazing longevity, and extraordinary first impressions, choose ToughGate™.

- MAINTENANCE FREE MATERIALS
- SHIPPED PRE-ASSEMBLED FOR FAST INSTALLATION
- WIDE VARIETY OF DESIGN OPTIONS



ToughGate™

ToughGate's™ innovative design makes field assembly fast and easy. All of our gates are shipped pre-assembled directly to your project site, accompanied by all required installation hardware. Our complete installation guides provide a clearly-defined process from start to finish.

Gates are available in heights of up to 14 ft* and widths of up to 20 ft** to accommodate almost any opening dimension.

* Maximum height determined by infill material and style selected.

** Contact a CityScapes® representative for details on our newest MegaGate options. Certain Height x Width limitations apply.



DOOR HANDLES

All ToughGate™ and Covrit® handles and hardware are powder coated and color-matched to the coordinating gate frame for superior aesthetics.



Bridge



Modern



Classic

MODERN LATCH

Our color matched, lockable latches are designed for years of maintenance free use.



Modern

CUSTOM DESIGNS

Don't see a style or color that fits our plan? No problem. We can color match many of our gate options or allow you to create a fully custom design. Print your image directly onto the gate or laser cut an intricate design into your gate. Have another idea? Let us know. We love a challenge.

GATE STYLES

PVC PLANK INFILL SERIES



Madison



Mission



Redondo



Augusta



Muir Woods



Sequoia

1-INCH PVC PLANK INFILL COLOR OPTIONS

Textured Woodgrain Surface On One Side Only



Brownstone



Kona



Slate Gray



Coastline



English Walnut



Weathered Teak



French White Oak



Dark Hickory

Textured Woodgrain Surface On Both Sides



Ashwood



Cedar



Sequoia



Slate

1-INCH PVC PLANK INFILL SERIES SPECS

- Woodgrain surface 2 sided planks are 1" thick 100% cellular PVC
- Woodgrain surface 1 sided planks are 1" thick composite LLDPE

MILLED PVC INFILL SERIES



Potomac (PVC)



Flagstaff (PVC)

ACRYLICAP® ABS INFILL SERIES SPECS

- Acrylicap® uses a thermoformed .187 acrylic-capped ABS for UV protection

MILLED PVC INFILL SERIES SPECS

- Milled PVC uses .750" 100% PVC sheet with .063" aluminum backer plate
- Colors per customer spec

METAL INFILL SERIES



7.2 Rib Metal



Perforated Metal



Perforated 7.2 Rib



Bahama Shutter



Formed Louver



True Louver



Custom Print

METAL SERIES SPECS

- Structural material thickness varies depending on infill choice
- Typical 7.2 Rib Metal Panels - .040", .050" Precoated aluminum
- Typical Perforated Metal Panels - .063" Aluminum, 1/8" holes, 1/4" staggered centers, 23% open area

For current color availability for metal wall styles, contact a CityScapes® representative.

SLAT WALL INFILL SERIES



4-Inch Slat Wall (Mission Style)



4-Inch Slat Wall (Madison Style)



6-Inch Slat Wall (Mission Style)



6-Inch Slat Wall (Madison Style)

SLAT SERIES SPECS

- Powder coated aluminum slats
- 1"x 4" - .080" Wall thickness
- 1"x 6" - .100" Wall thickness
- 6063 T6 Aluminum
- 4000 Series powder coated

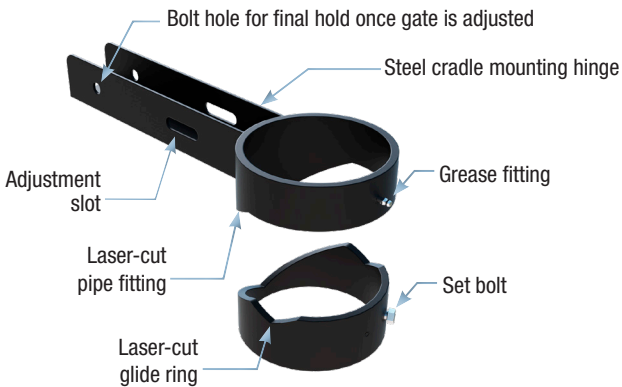
For current color availability for slat wall styles, contact a CityScapes® representative.

CRADLE HINGE OPTIONS - New and Retrofitted Installations

Choose from our fully adjustable hinge options. We recommend installation using our hold-open pipe hinge which offers a convenient and enhanced safety feature to “hold open” your gate; reducing injuries as well as damage to your property. Alternative hinge options to retrofit to your existing post or wall are shown below.

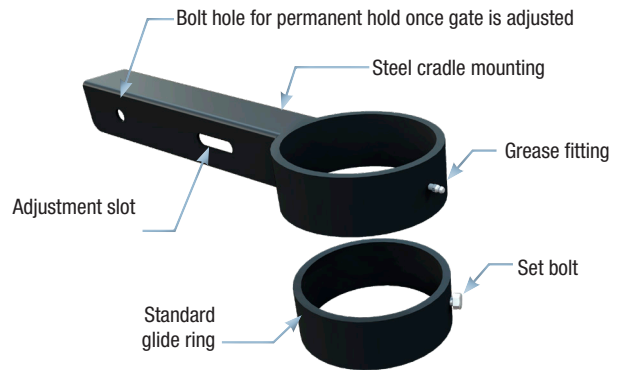
HOLD-OPEN PIPE HINGE

- Pre-welded steel construction
- Laser-cut rings nest and work together to provide a 100° hold-open gate position. Gate will automatically close prior to 100°.
- Adjustment slot in cradle to help level door on pipe.
- Grease fitting included
- Powder coated to match frame



ADJUSTABLE PIPE HINGE

- Pre-welded steel construction
- Adjustment slot in cradle to help level door on pipe.
- Grease fittings included
- Powder coated to match frame



BARREL HINGE

(retrofit for square post or wall mount)

- Set bolts in post included for setting gate height off grade.
- Pre-welded steel gate frame saddle to barrel hinge. Barrel hinge leaf side requires field welding to structure or can be made to bolt onto structure after engineering review.
- Powder coated to match gate frame
- Steel or Aluminum construction available (*Material used is determined by weight*)

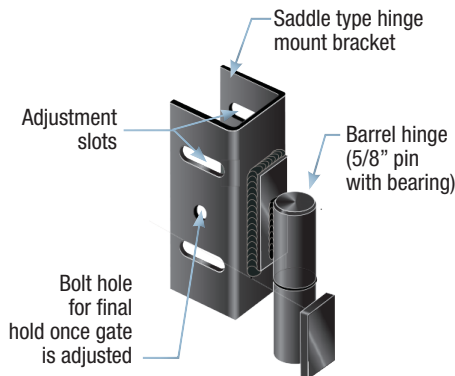


PLATE HINGE

(retrofit for square post or wall mount)

- Set bolts in post included for setting gate height off grade.
- Pre-welded steel gate frame saddle to barrel hinge. Barrel hinge leaf side requires field welding to structure or can be made to bolt onto structure after engineering review.
- Powder coated to match gate frame
- Steel or Aluminum construction available (*Material used is determined by weight*)

